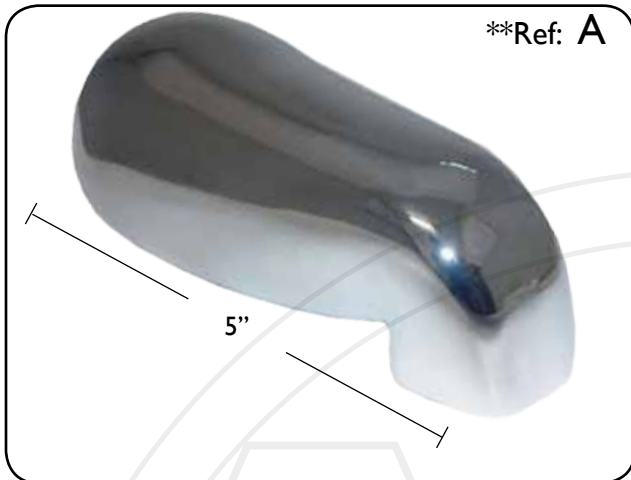
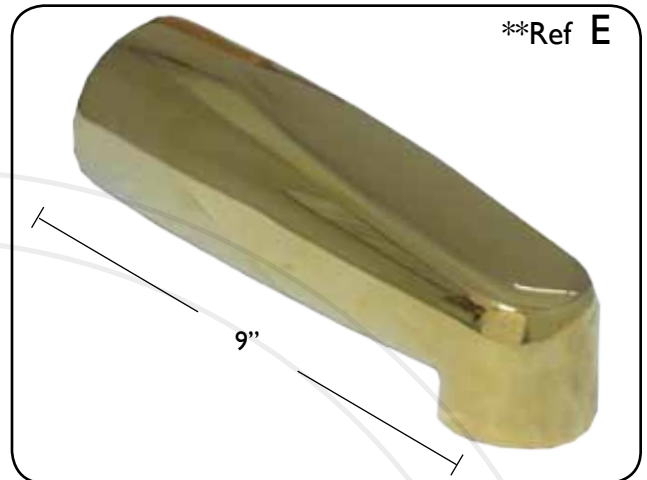


# Brass Front & Rear Connect Filler Spouts



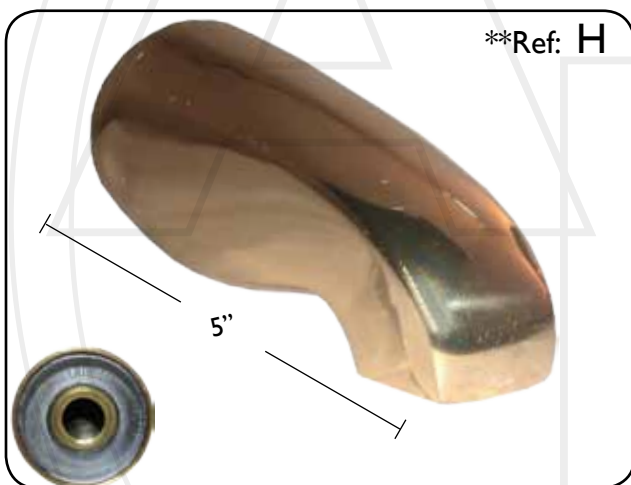
**FSP031CP**

Traditional Solid Brass Filler Tub Spout - 1/2" IPS Front Thread



**FSP040PB**

Designer Solid Brass Filler Tub Spout - 1/2" IPS Front Thread



**FSP043PB**

Traditional Solid Brass Filler Tub Spout - 1/2" IPS Thread

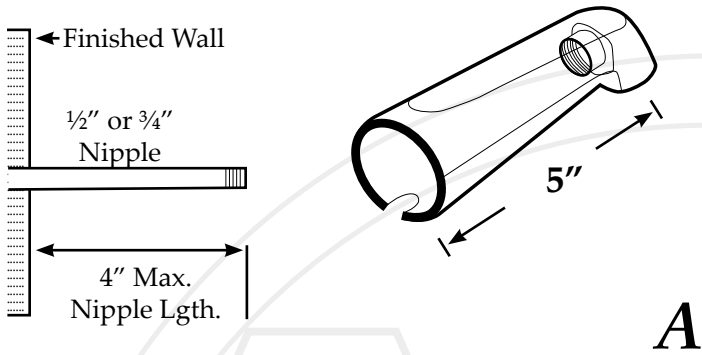
*\*Specify Finish*

*\*\*See Tub Spout Roughing-In Guide*

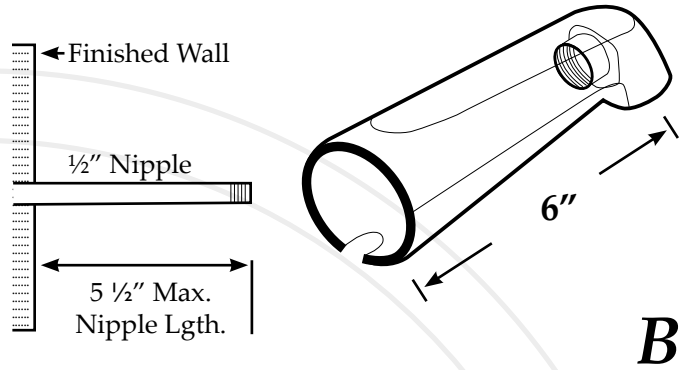
# Tub Spout Roughing-In Guide

All measurements are approximations. Always check measurements before installation.

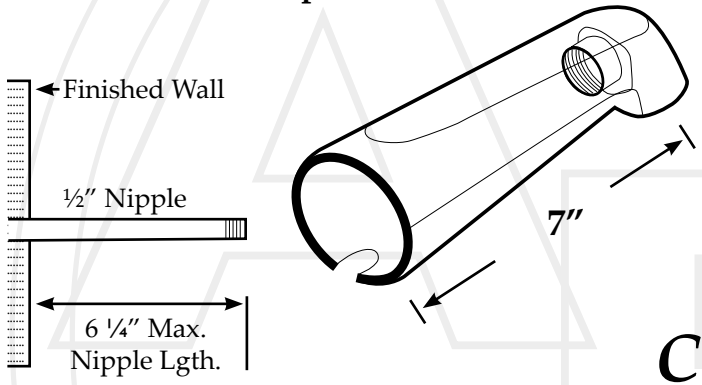
## 5" Front Threaded Spout



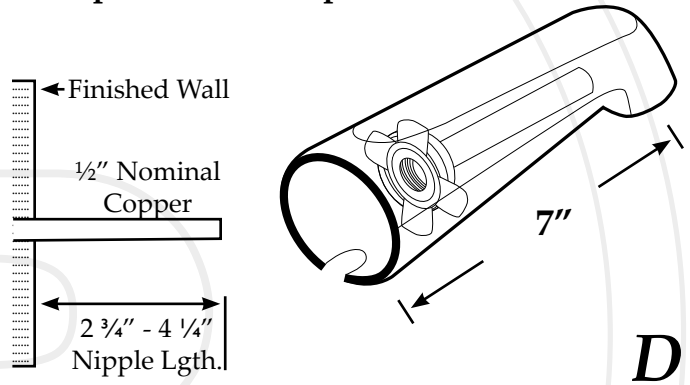
## 6" Front Threaded Spout



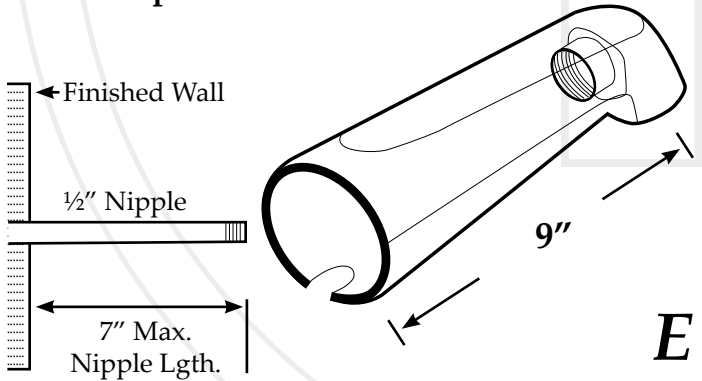
## 7" Front Threaded Spouts



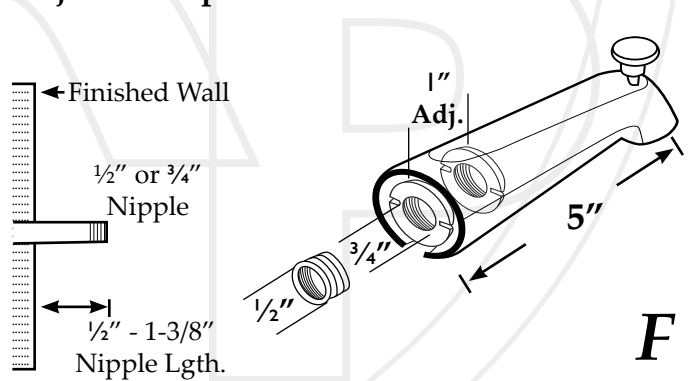
## 7" Slip-Fit Die Cast Spouts



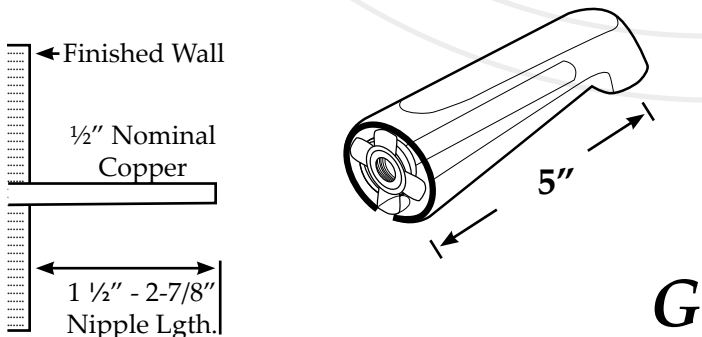
## 9" Brass Spouts



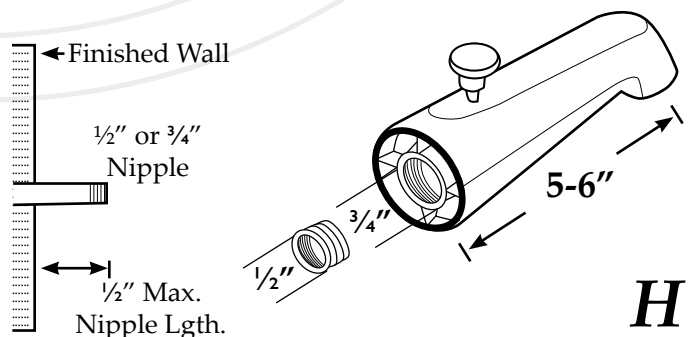
## Adjustable Spouts



## Slip-Fit Spouts



## Rear Threaded Spouts



# Tub Spout Roughing-In Guide

All measurements are approximations. Always check measurements before installation.

## Adjustable Spouts

