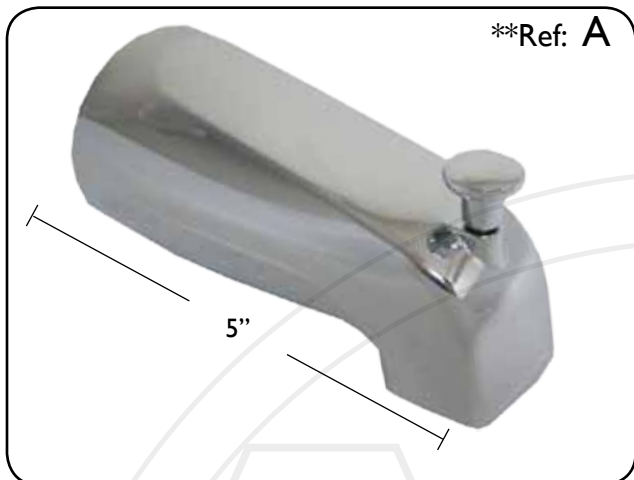


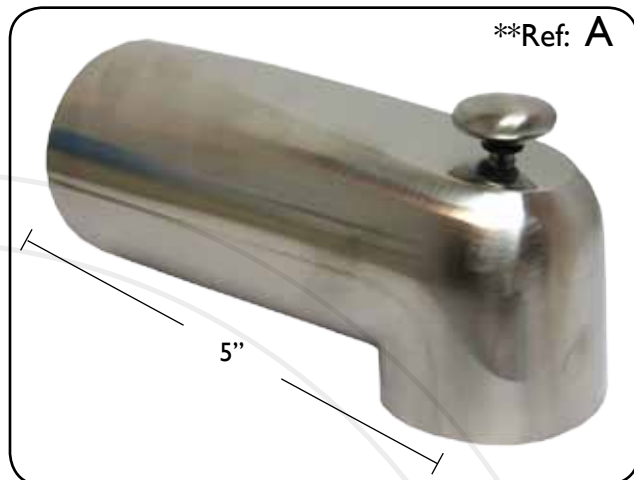
# Die Cast & Brass Front Connect Diverter Spouts



\*\*Ref: A

**DSP001CP\***

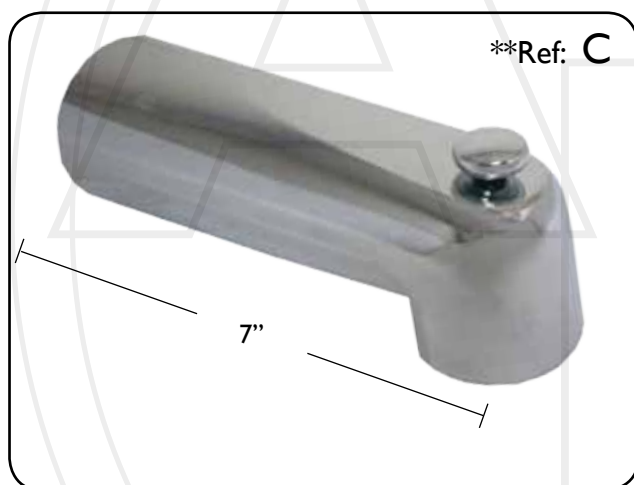
Traditional Front Diverter Spout - 1/2" IPS Front Thread



\*\*Ref: A

**DSP001SN\***

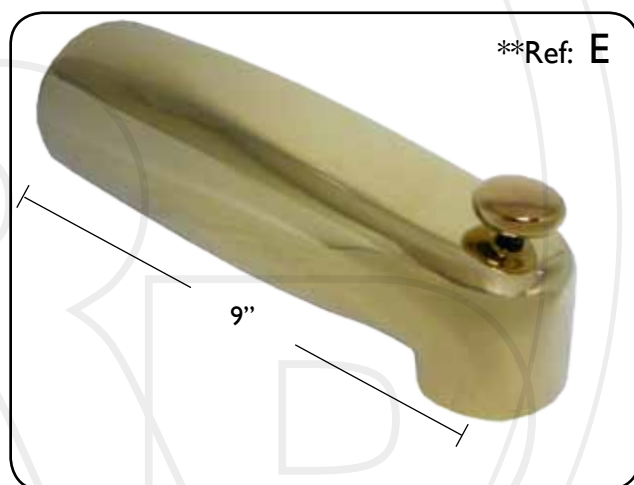
Designer Front Diverter Spout - 1/2" IPS Front Thread



\*\*Ref: C

**DSP007CP\***

Designer Front Div. Spout - 1/2" IPS Front Thread



\*\*Ref: E

**DSP010PB**

Designer Front Brass Div. Spout - 1/2" IPS Front Thread

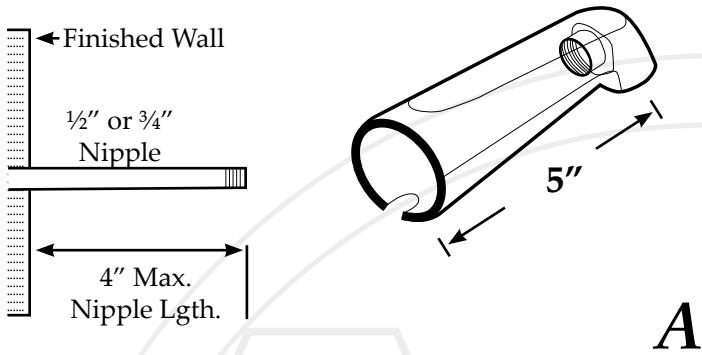
*\*Specify Finish*

*\*\*See Tub Spout Roughing-In Guide*

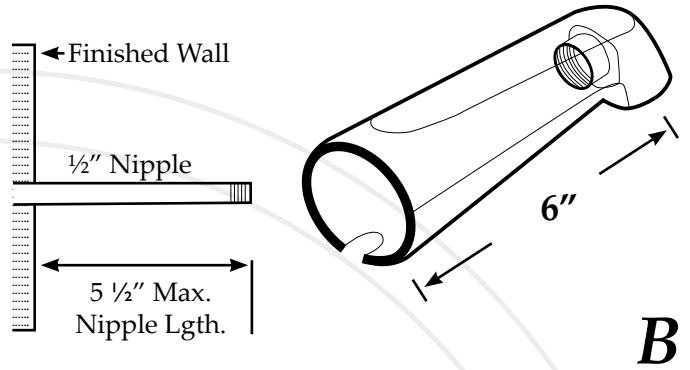
# Tub Spout Roughing-In Guide

All measurements are approximations. Always check measurements before installation.

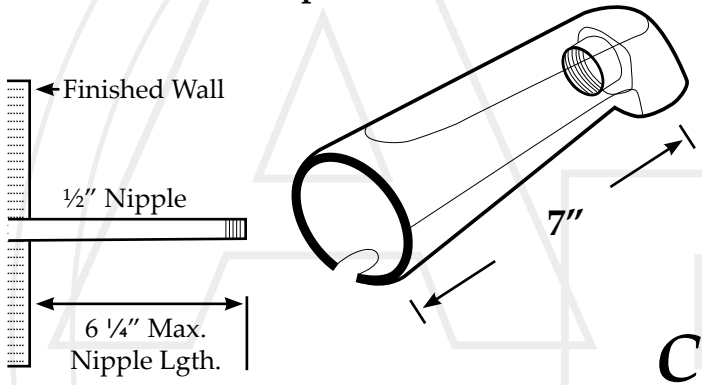
## 5" Front Threaded Spout



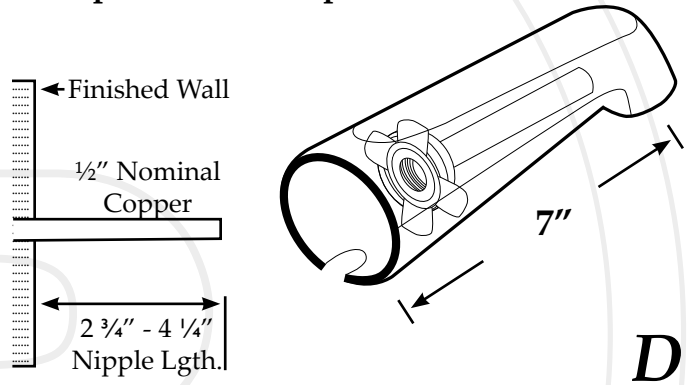
## 6" Front Threaded Spout



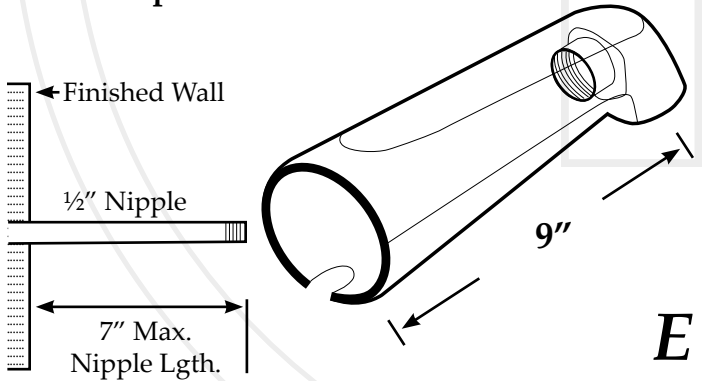
## 7" Front Threaded Spouts



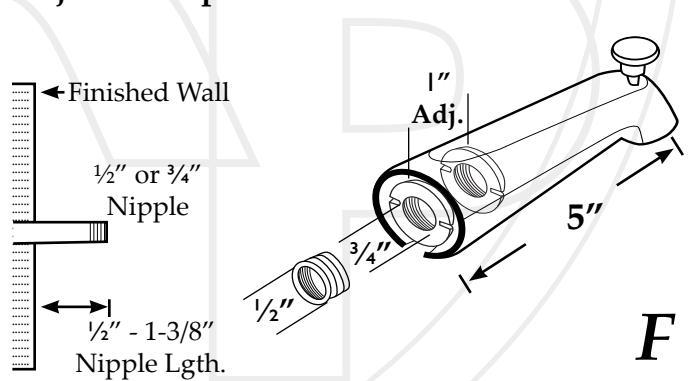
## 7" Slip-Fit Die Cast Spouts



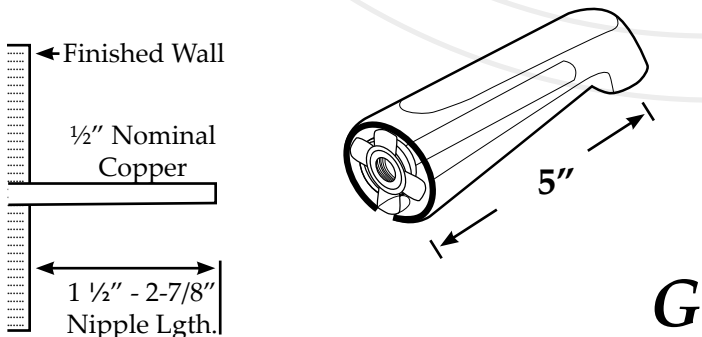
## 9" Brass Spouts



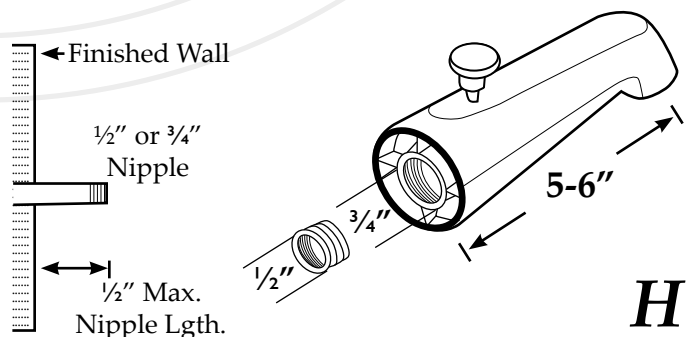
## Adjustable Spouts



## Slip-Fit Spouts



## Rear Threaded Spouts



# Tub Spout Roughing-In Guide

All measurements are approximations. Always check measurements before installation.

## Adjustable Spouts

