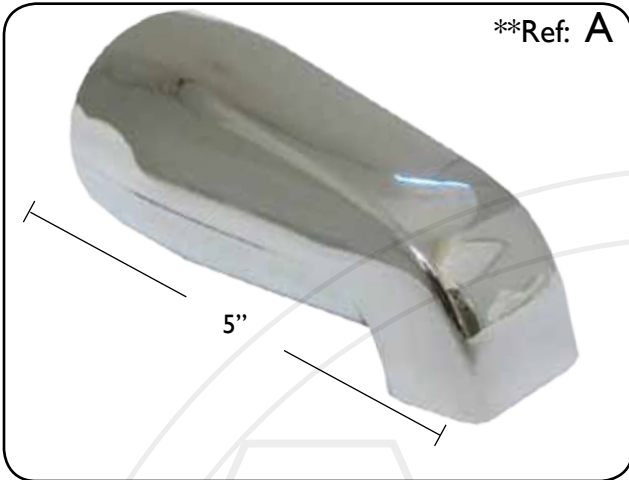
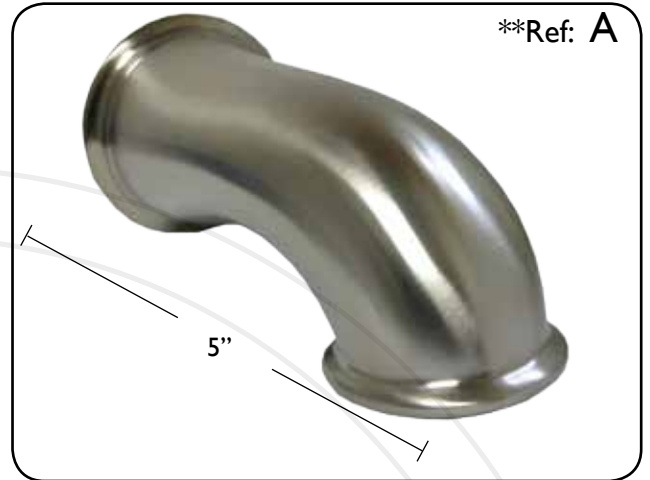


Die Cast Front Connect Filler Spouts



FSP001CP*
Traditional Filler Tub Spout - 1/2" IPS Front Thread

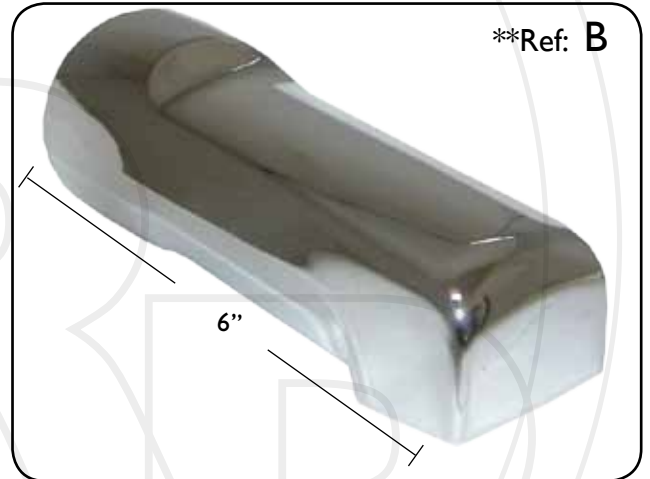
FSP002CP
Traditional Filler Tub Spout - 3/4" IPS Front Thread



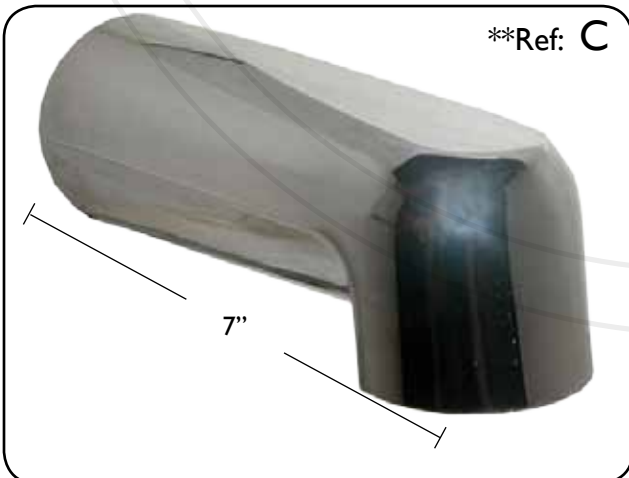
FSP004SN
Designer Filler Tub Spout - 1/2" IPS Front Thread



FSP007SN
Designer Filler Tub Spout - 1/2" - 3/4" IPS Front Thread



FSP010CP
Special Filler Tub Spout - 1/2" IPS Front Thread



FSP013CP*
Designer Filler Tub Spout - 1/2" IPS Front Thread

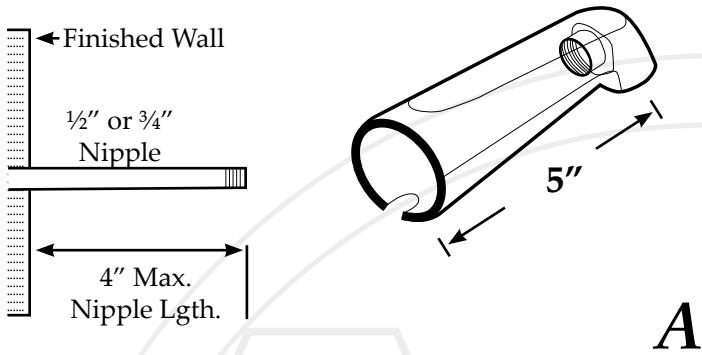
**Specify Finish*

***See Tub Spout Roughing-In Guide*

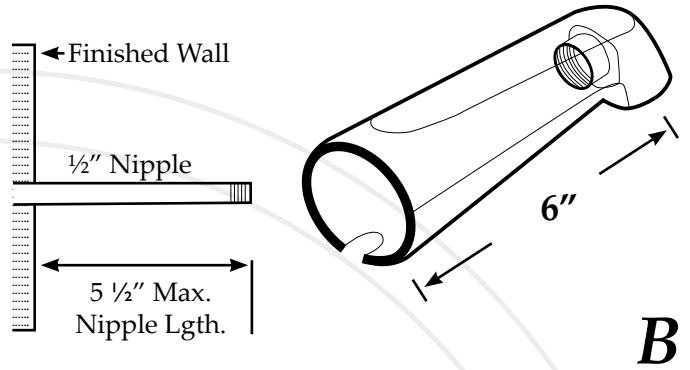
Tub Spout Roughing-In Guide

All measurements are approximations. Always check measurements before installation.

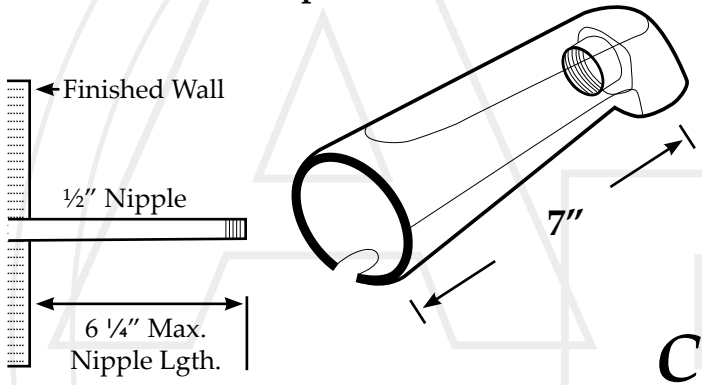
5" Front Threaded Spout



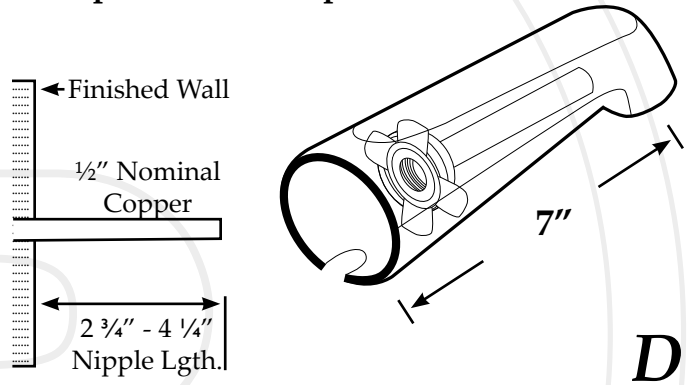
6" Front Threaded Spout



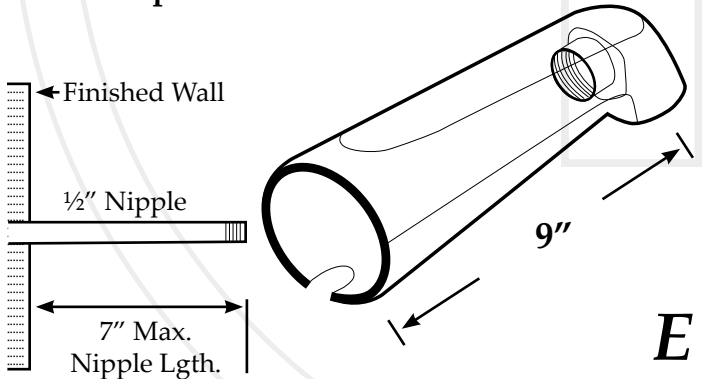
7" Front Threaded Spouts



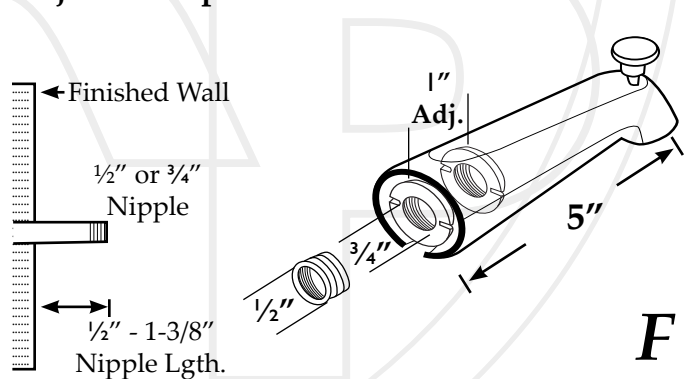
7" Slip-Fit Die Cast Spouts



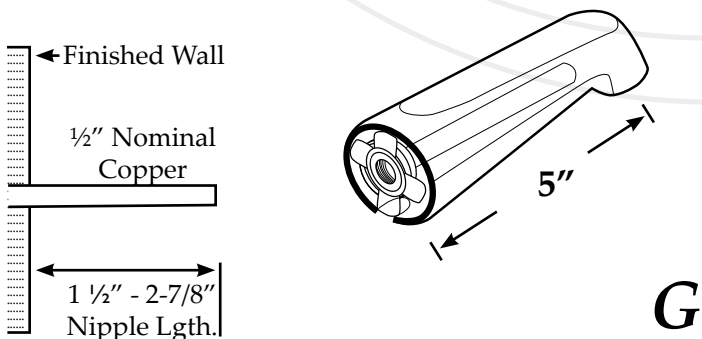
9" Brass Spouts



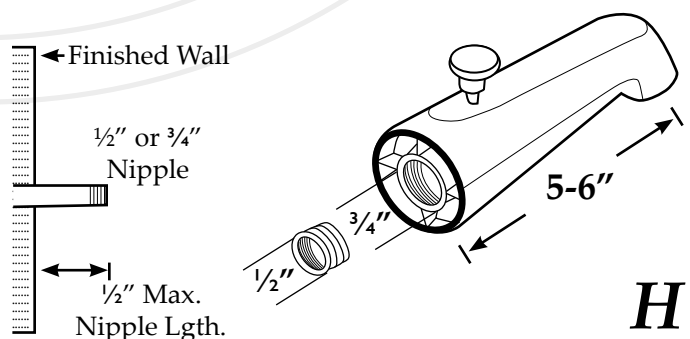
Adjustable Spouts



Slip-Fit Spouts



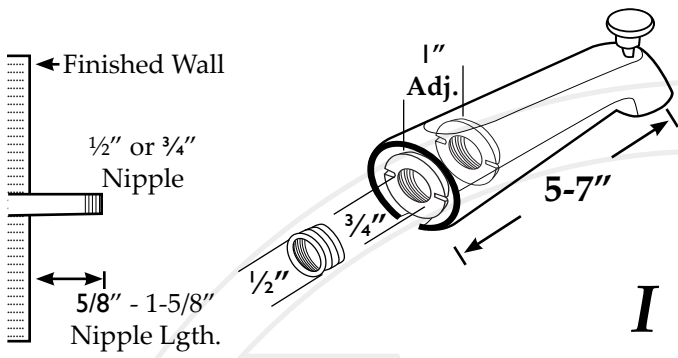
Rear Threaded Spouts



Tub Spout Roughing-In Guide

All measurements are approximations. Always check measurements before installation.

Adjustable Spouts



I