

Die Cast Rear Adjustable Diverter Spouts



DSP019CP
Designer Rear Pull Up Div. Tub Spout - 1/2" - 1 1/4" IPS



DSP022CP
Traditional Front Div. Spout-Adjusted Model with 1/2" - 1" IPS Celcon Reducer Bushing



DSP025CP*
Special Rear Pull Down Adjustable Div. Tub Spout - 1/2" - 1 1/4" IPS



DSP028CP
Special Rear Pull Up Adjustable Div. Tub Spout - 1/2" - 1 1/4" IPS

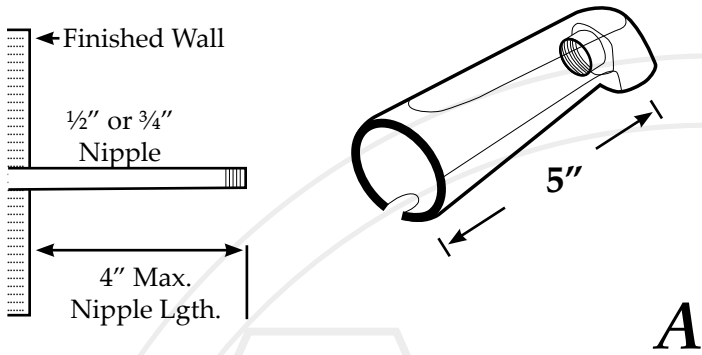
**Specify Finish*

***See Tub Spout Roughing-In Guide*

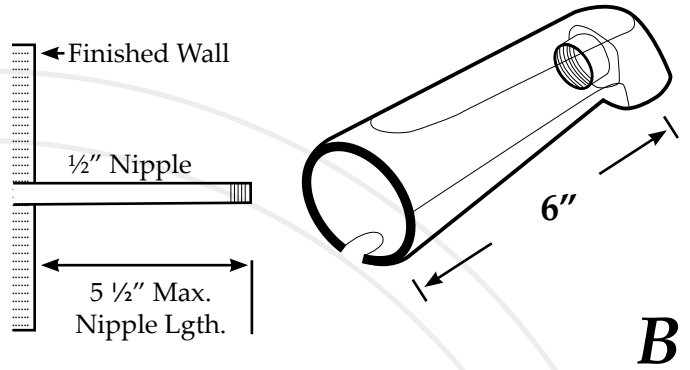
Tub Spout Roughing-In Guide

All measurements are approximations. Always check measurements before installation.

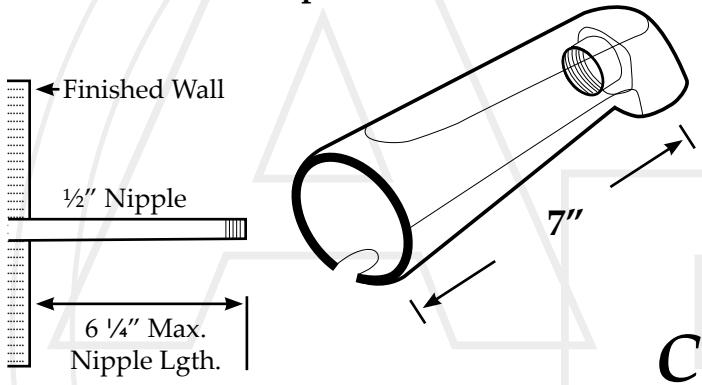
5" Front Threaded Spout



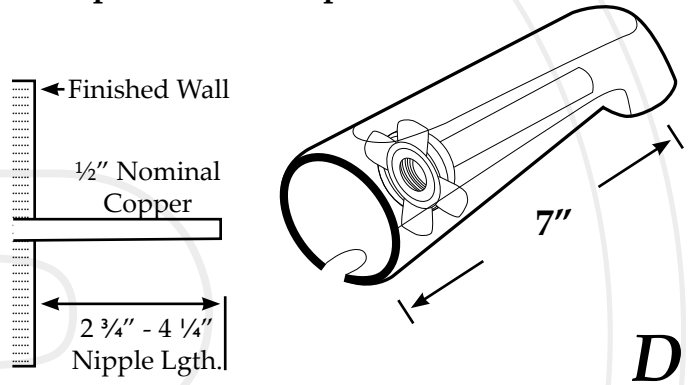
6" Front Threaded Spout



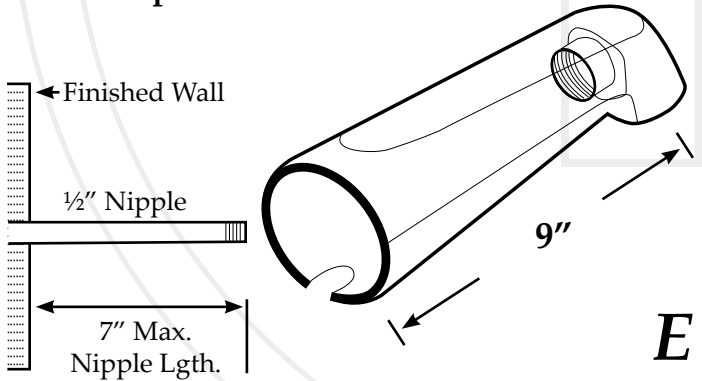
7" Front Threaded Spouts



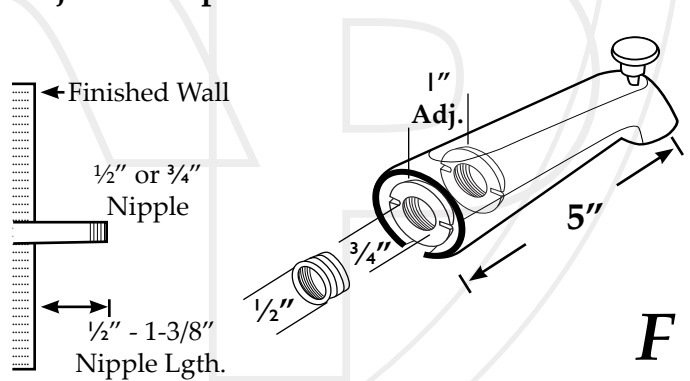
7" Slip-Fit Die Cast Spouts



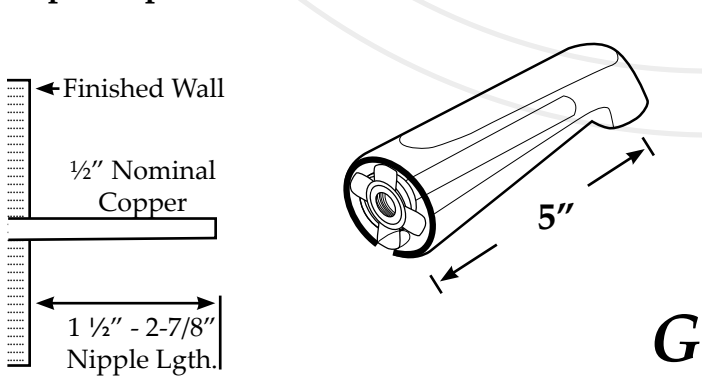
9" Brass Spouts



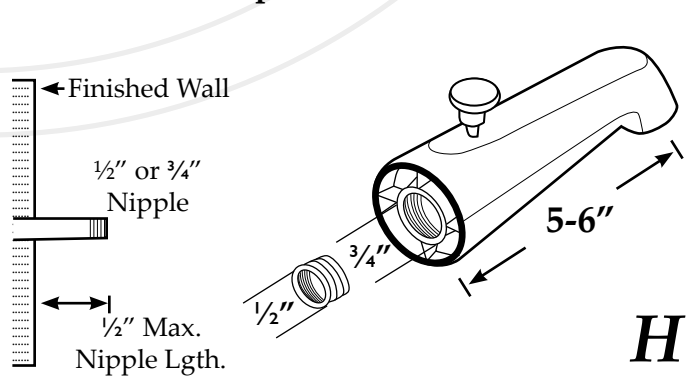
Adjustable Spouts



Slip-Fit Spouts



Rear Threaded Spouts



Tub Spout Roughing-In Guide

All measurements are approximations. Always check measurements before installation.

Adjustable Spouts

