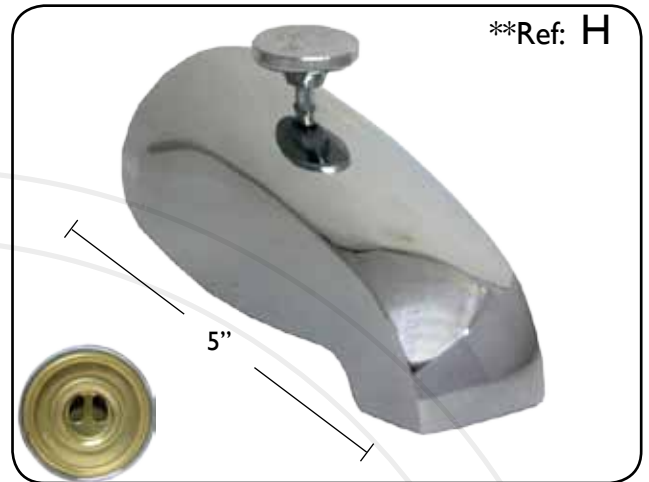


Brass Rear Connect Diverter Spouts



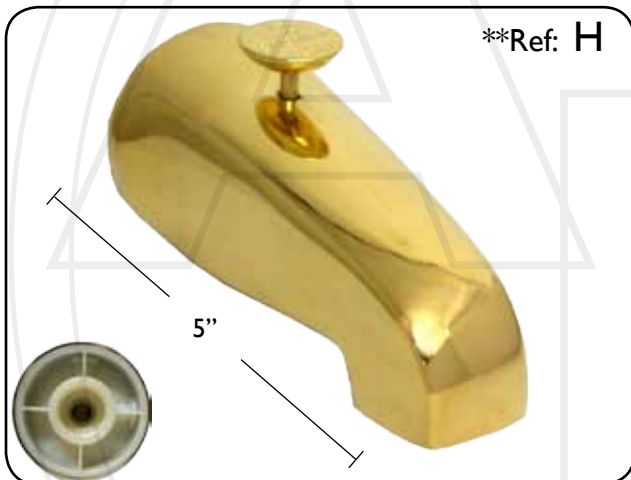
DSP063CP

Special Rear Div. Spout Kit



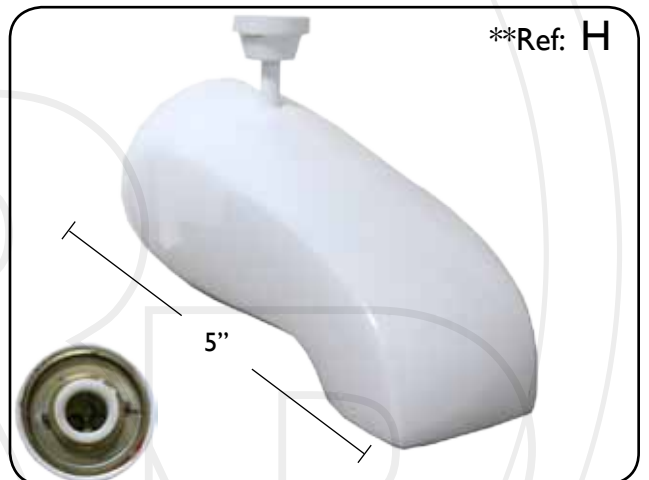
DSP064CP

Designer Rear Div. Spout Extra Heavy $\frac{3}{4}$ " FIP



DSP066PB

Traditional Rear Div. Spout Only (Auto)



DSP069WT

Designer Rear Div. Spout $\frac{1}{2}$ " - $\frac{3}{4}$ " IPS

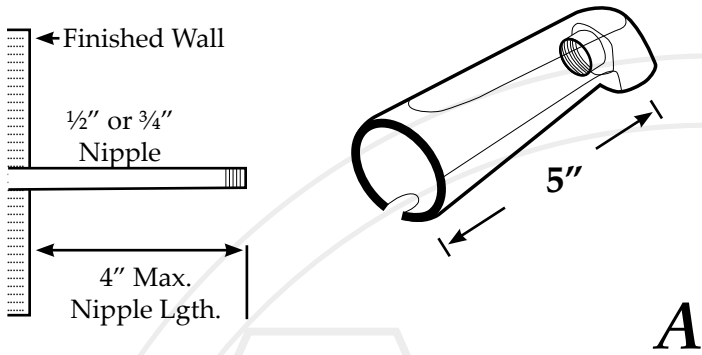
**Specify Finish*

***See Tub Spout Roughing-In Guide*

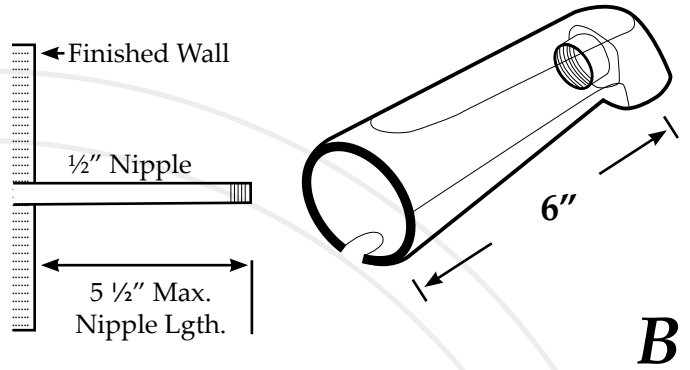
Tub Spout Roughing-In Guide

All measurements are approximations. Always check measurements before installation.

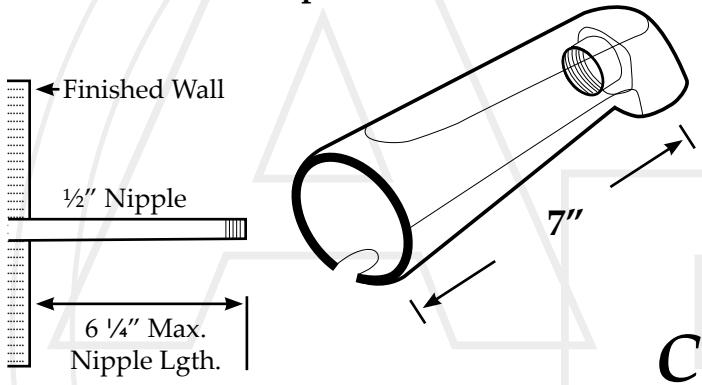
5" Front Threaded Spout



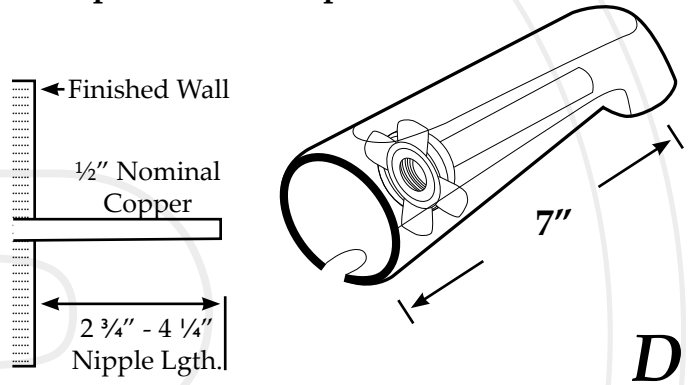
6" Front Threaded Spout



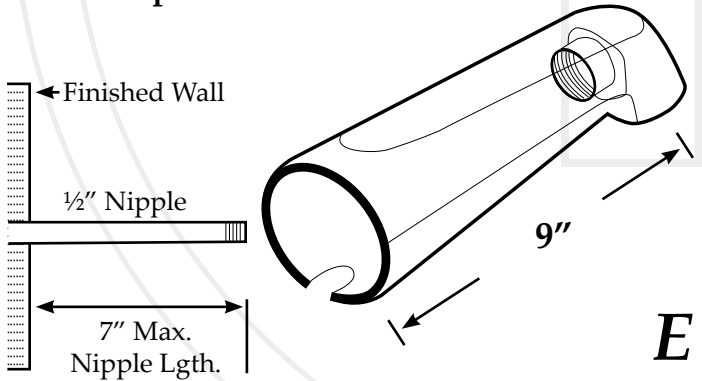
7" Front Threaded Spouts



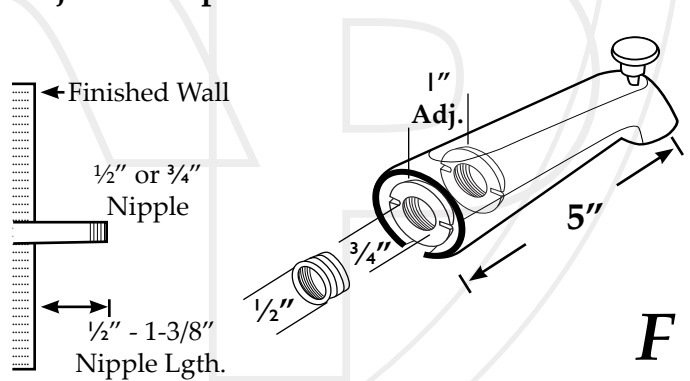
7" Slip-Fit Die Cast Spouts



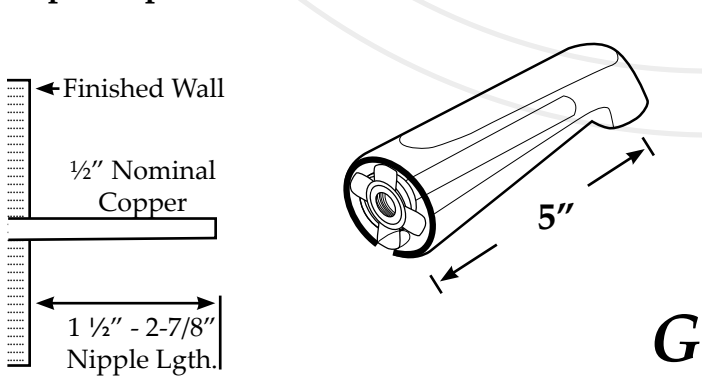
9" Brass Spouts



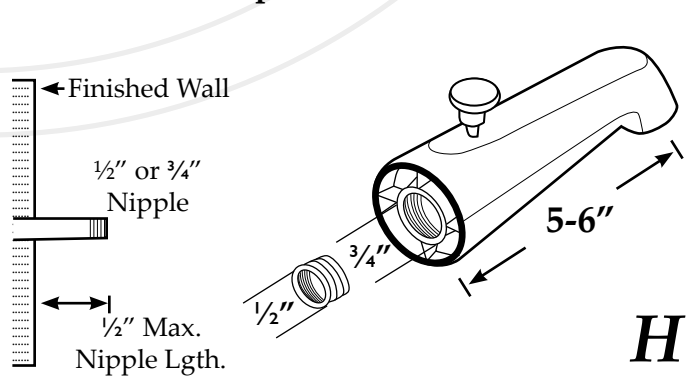
Adjustable Spouts



Slip-Fit Spouts



Rear Threaded Spouts



Tub Spout Roughing-In Guide

All measurements are approximations. Always check measurements before installation.

Adjustable Spouts

