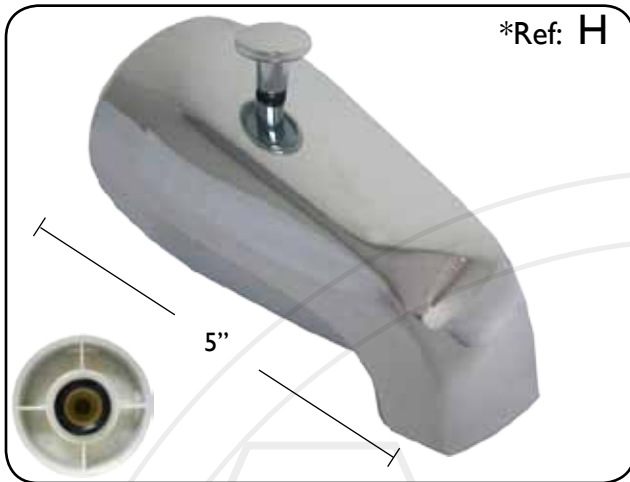
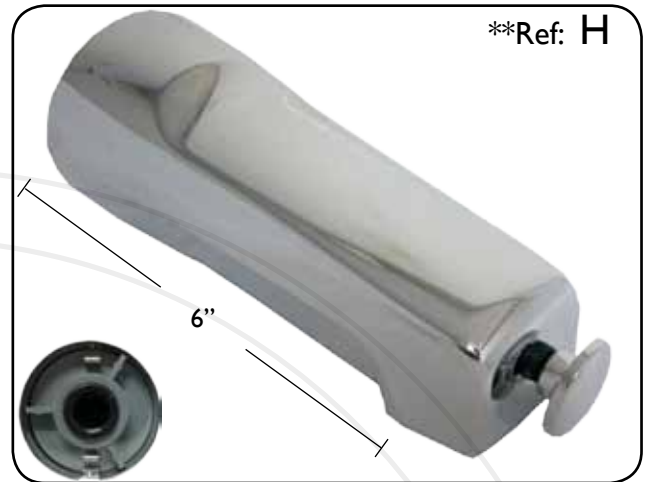


Die Cast Rear Connect Diverter Spouts



DSP013CP*

Traditional Rear Div. Spout - $\frac{3}{4}$ " Thread with
 $\frac{1}{2}$ " - $\frac{3}{4}$ " IPS Celcon Reducer Bushing



DSP016CP**

Special Rear $\frac{1}{2}$ " Iron Pipe Div. Tub Spout - $\frac{3}{4}$ " w/
Bushing

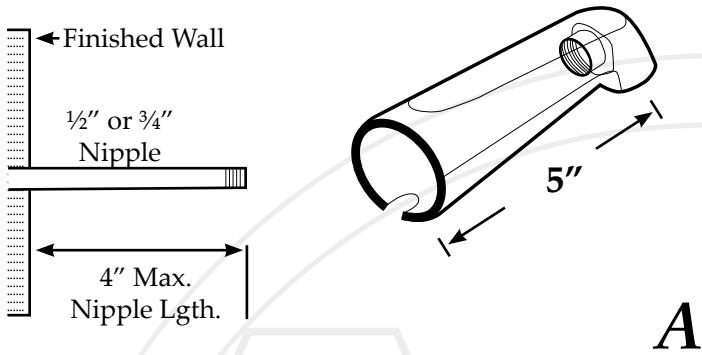
**Specify Finish*

***See Tub Spout Roughing-In Guide*

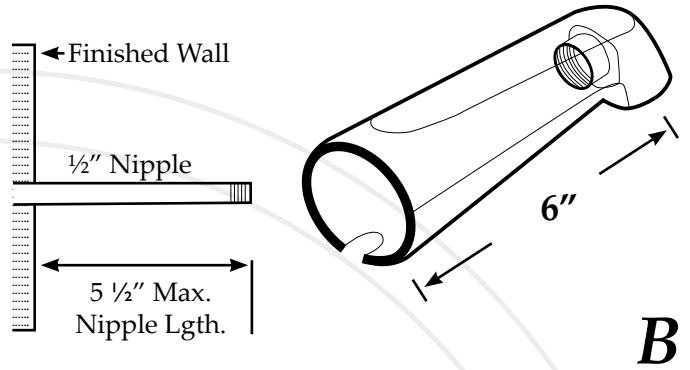
Tub Spout Roughing-In Guide

All measurements are approximations. Always check measurements before installation.

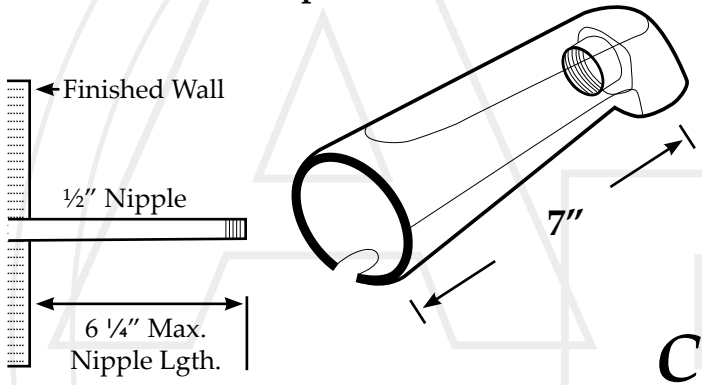
5" Front Threaded Spout



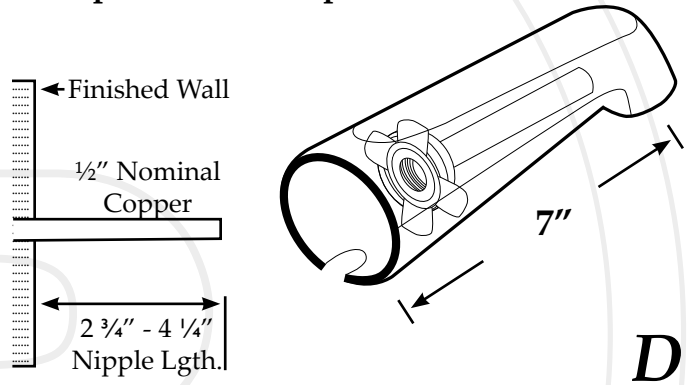
6" Front Threaded Spout



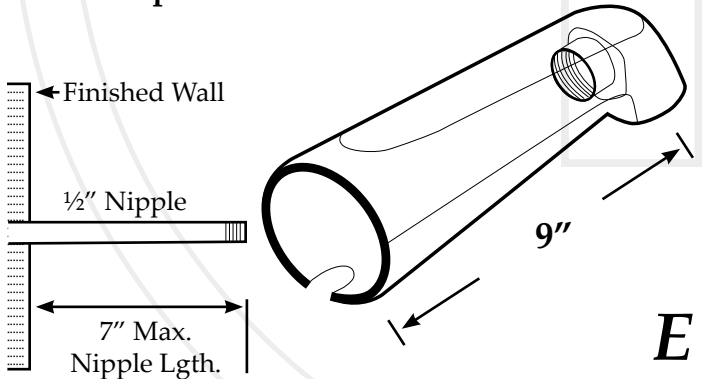
7" Front Threaded Spouts



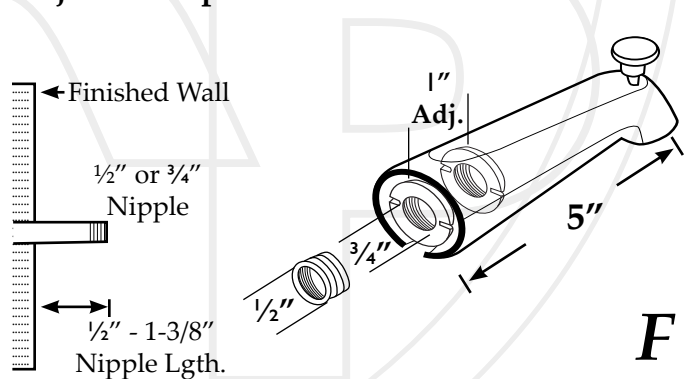
7" Slip-Fit Die Cast Spouts



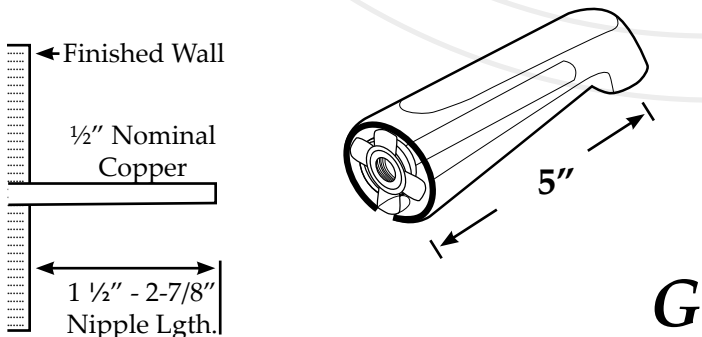
9" Brass Spouts



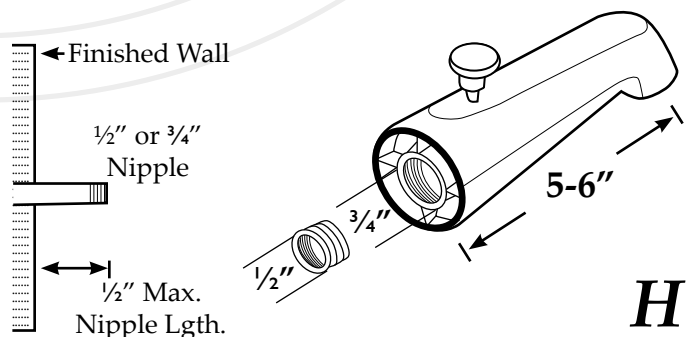
Adjustable Spouts



Slip-Fit Spouts



Rear Threaded Spouts



Tub Spout Roughing-In Guide

All measurements are approximations. Always check measurements before installation.

Adjustable Spouts

