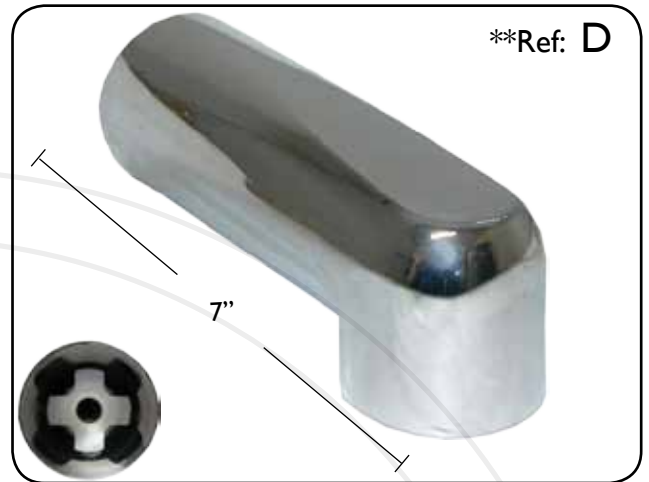


Die Cast Rear Connect Slip-On Filler Spouts



FSP019CP*
Traditional Filler Tub Spout-Slide Connect - 1/2"
Nominal 5/8" OD Copper



FSP025CP*
Designer Filler Tub Spout-Slide Connect - 1/2"
Nominal 5/8" OD Copper

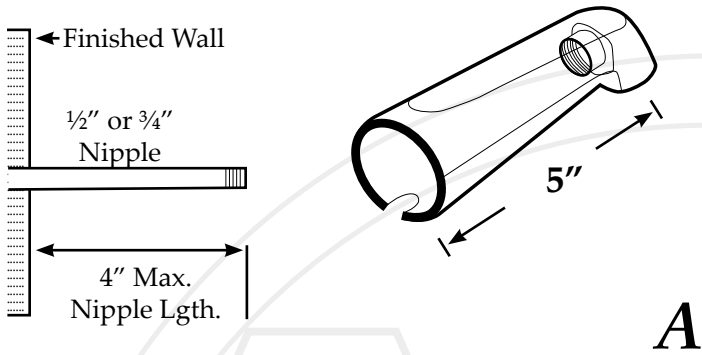
**Specify Finish*

***See Tub Spout Roughing-In Guide*

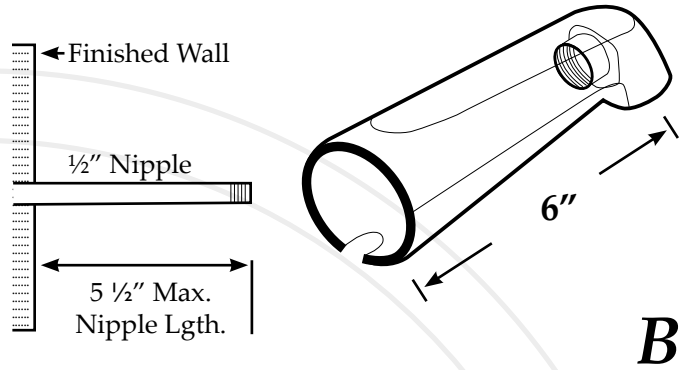
Tub Spout Roughing-In Guide

All measurements are approximations. Always check measurements before installation.

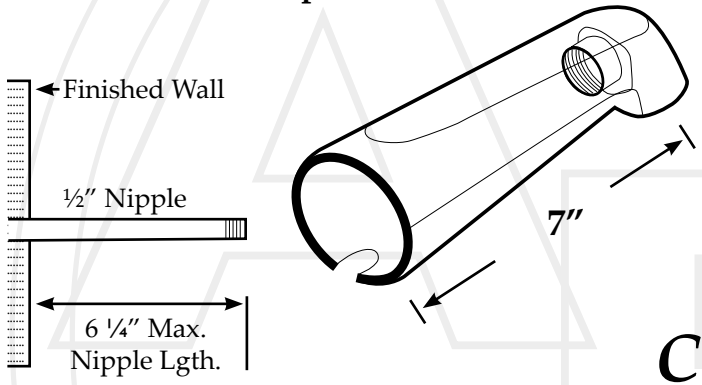
5" Front Threaded Spout



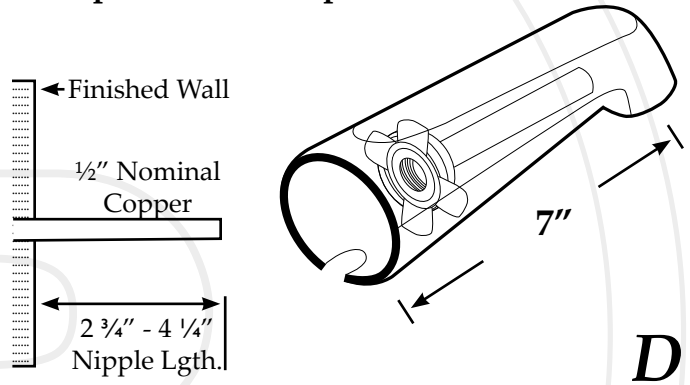
6" Front Threaded Spout



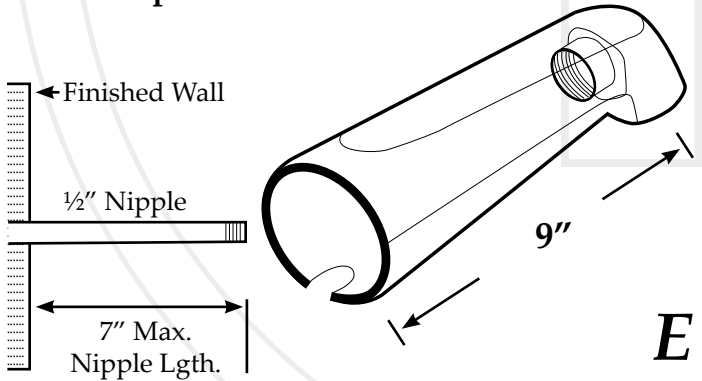
7" Front Threaded Spouts



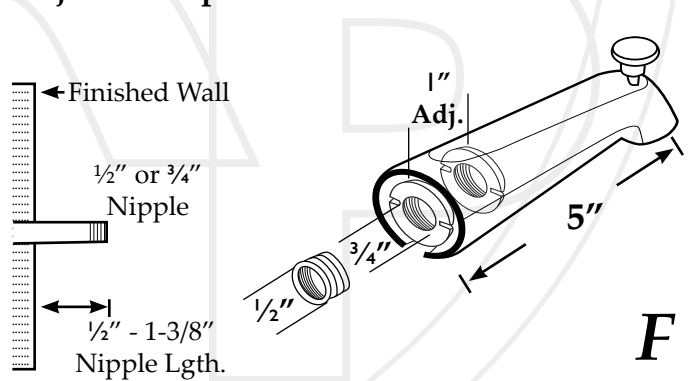
7" Slip-Fit Die Cast Spouts



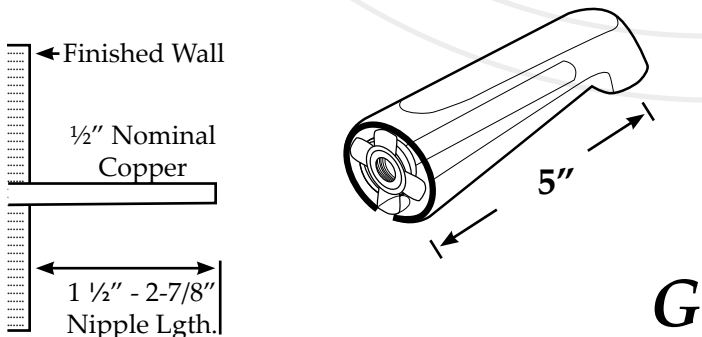
9" Brass Spouts



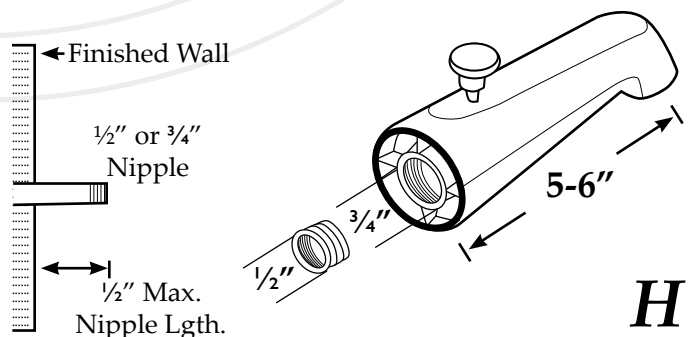
Adjustable Spouts



Slip-Fit Spouts



Rear Threaded Spouts



Tub Spout Roughing-In Guide

All measurements are approximations. Always check measurements before installation.

Adjustable Spouts

