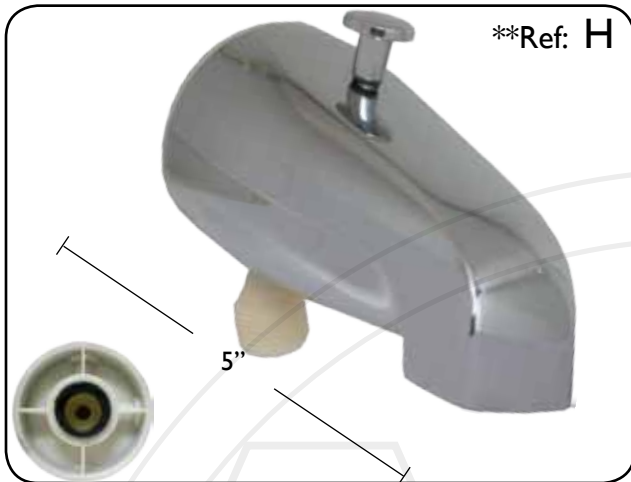


Die Cast Rear Diverter w/ Auxillary Take-Off



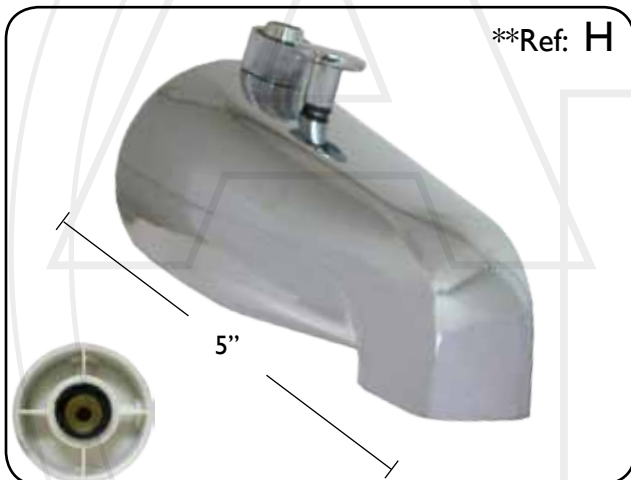
DSP034CP*

Traditional Rear Div. Spout-with 1/2" Male Bottom Adapter - 1/2" - 3/4" IPS Celcon Reducer Bushing



DSP037CP

Traditional Rear Div. Spout - 1/2" Top Male Take-Off



DSP040CP

Traditional Rear Div. Spout-with 3/8" Top Swivel Adapter - 1/2" - 3/4" IPS Celcon Reducer Bushing

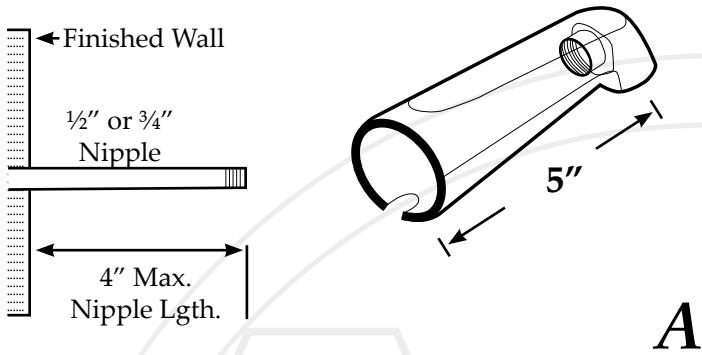
**Specify Finish*

***See Tub Spout Roughing-In Guide*

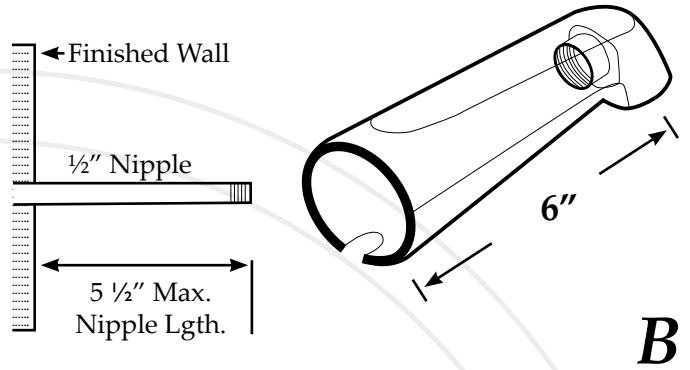
Tub Spout Roughing-In Guide

All measurements are approximations. Always check measurements before installation.

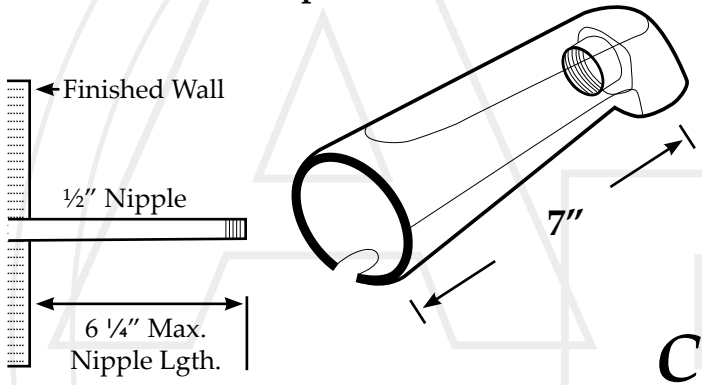
5" Front Threaded Spout



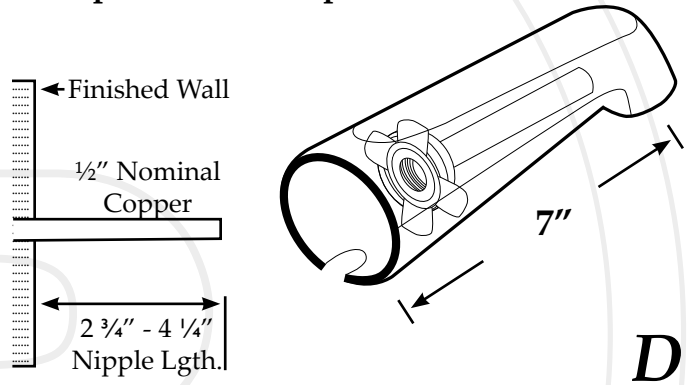
6" Front Threaded Spout



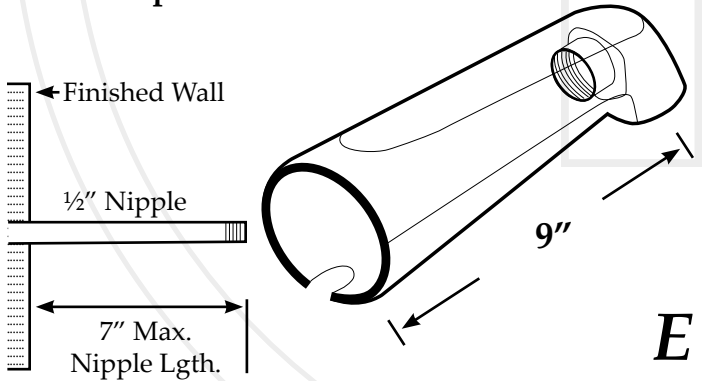
7" Front Threaded Spouts



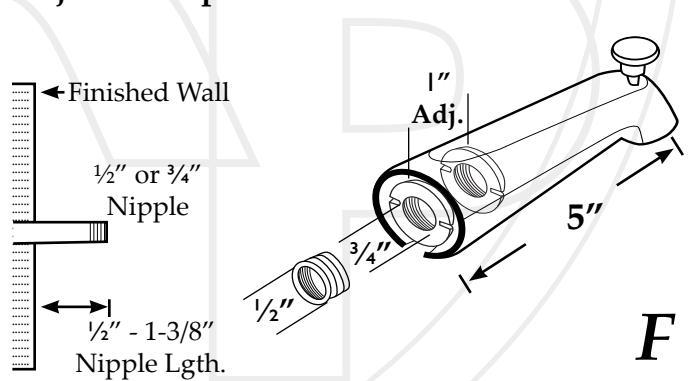
7" Slip-Fit Die Cast Spouts



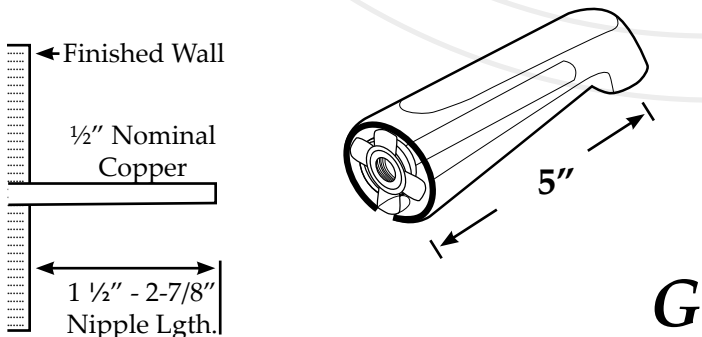
9" Brass Spouts



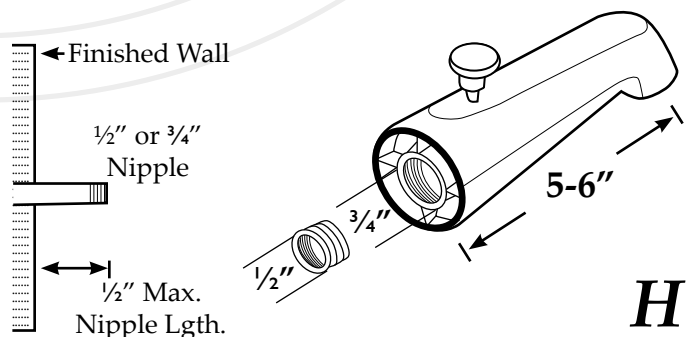
Adjustable Spouts



Slip-Fit Spouts



Rear Threaded Spouts



Tub Spout Roughing-In Guide

All measurements are approximations. Always check measurements before installation.

Adjustable Spouts

