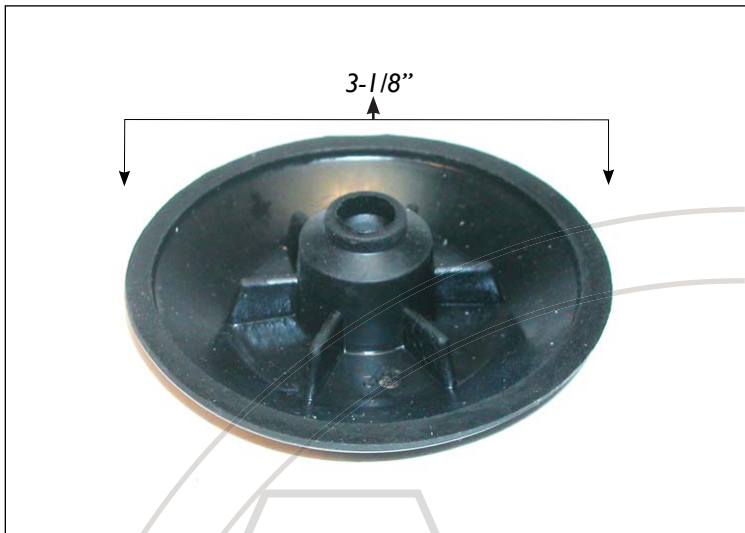


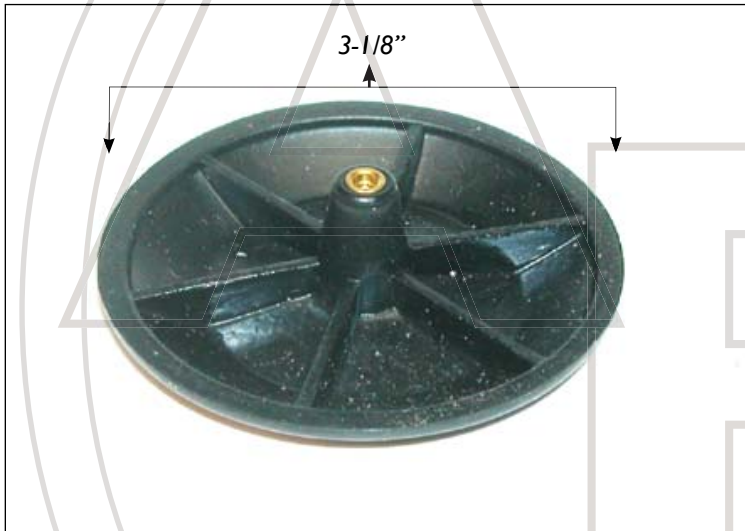
TOILET REPAIR PARTS: FLAPPERS & BALLS | AMERICAN STANDARD



AMS336643 • SNAP ON DISC



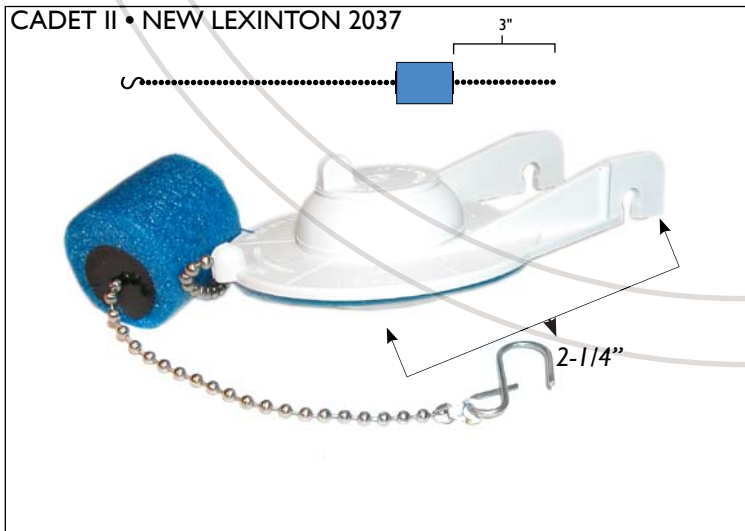
AMS47146 • FLAPPER
CHAIN LENGTH (link w/j-clip): 10-1/2"



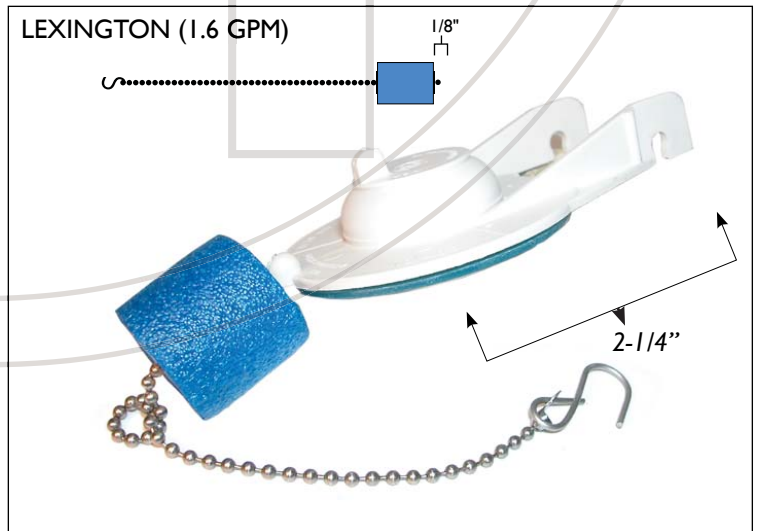
AMS73383 • SCREW ON DISC



LEXINGTON • HAMILTON
AMS738068 • FLAPPER
CHAIN LENGTH (beaded w/clip): 7-1/2"

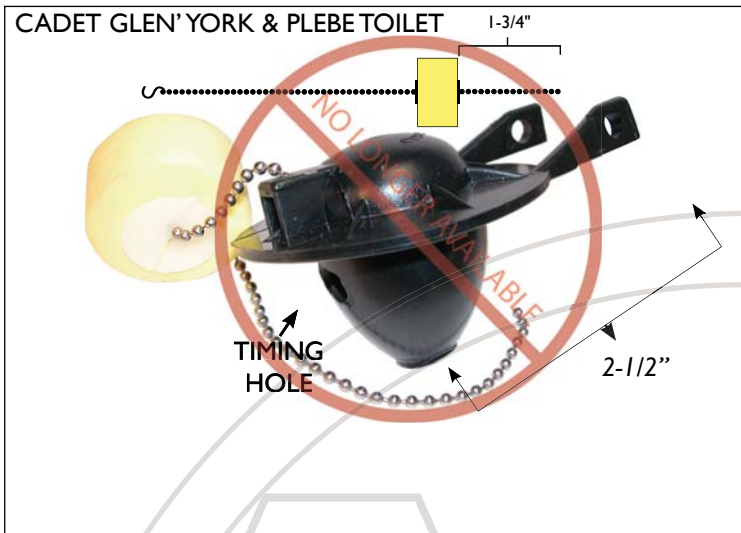


CADET II • NEW LEXINGTON 2037
AMS738071 • FLAPPER
CHAIN LENGTH (link w/j-clip): 8"



LEXINGTON (1.6 GPM)
AMS738104 • FLAPPER
CHAIN LENGTH (link w/clip): 8"

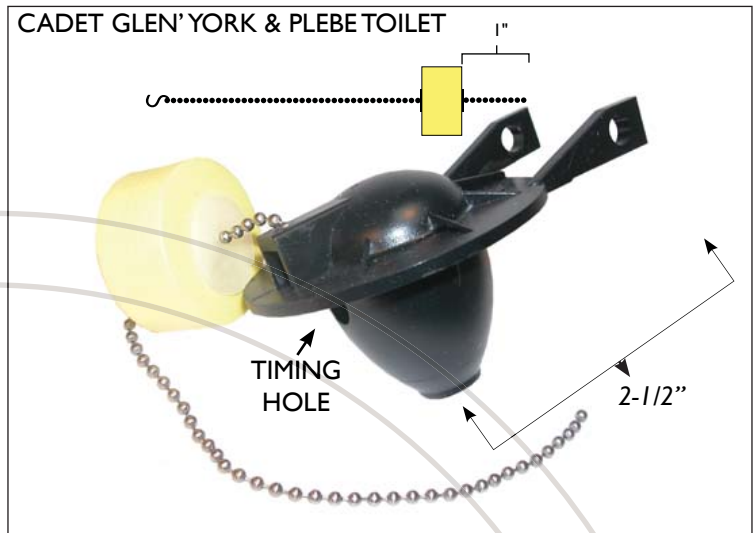
TOILET REPAIR PARTS: FLAPPERS & BALLS | AMERICAN STANDARD



AMS738159 • FLAPPER

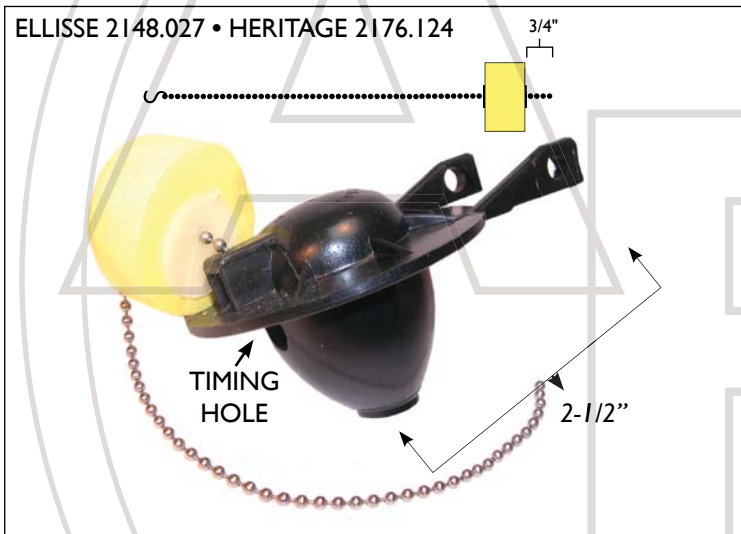
NLA USE AMS7381129

CHAIN LENGTH (beaded, no clip): 9"



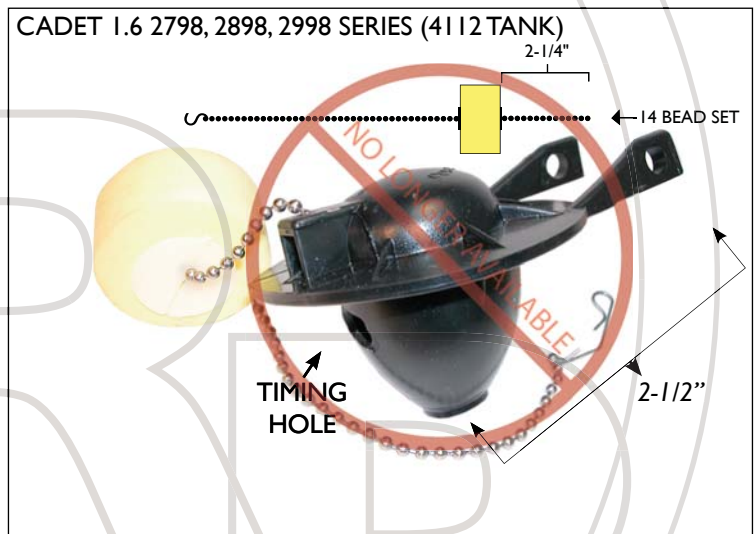
AMS738165 • FLAPPER

CHAIN LENGTH (beaded, no clip): 9"



AMS738258 • FLAPPER

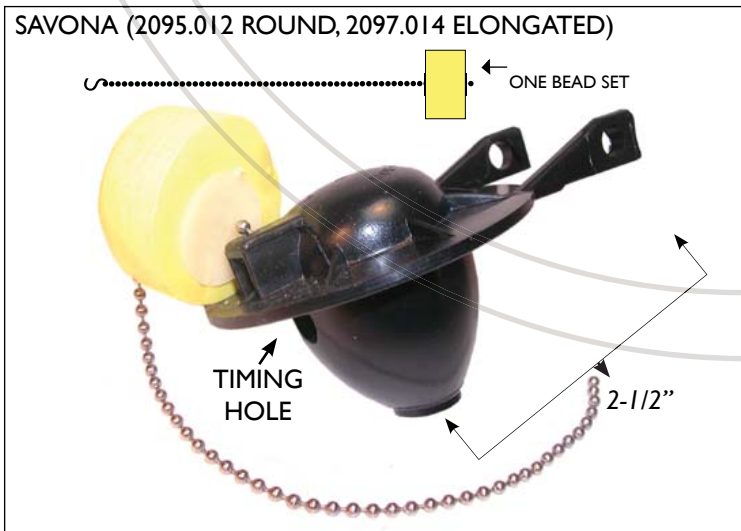
CHAIN LENGTH (beaded, no clip): 9"



AMS738358 • FLAPPER

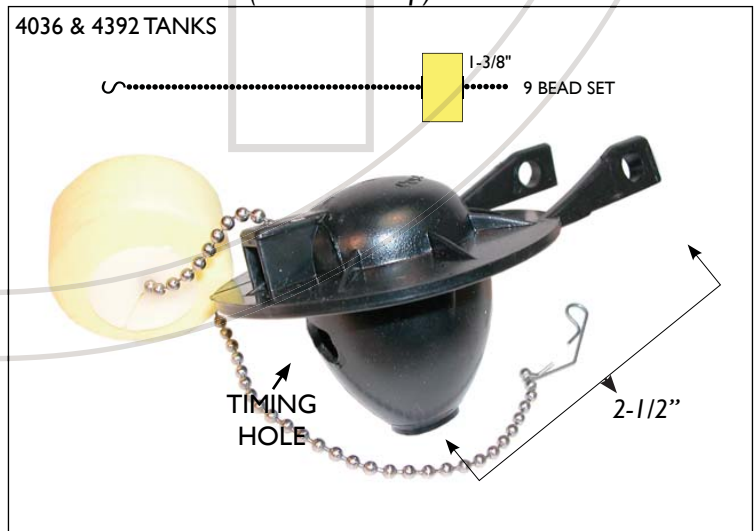
NLA USE AMS7381129

CHAIN LENGTH (beaded w/clip): 9"



AMS738380 • FLAPPER

CHAIN LENGTH (beaded, no clip): 9"

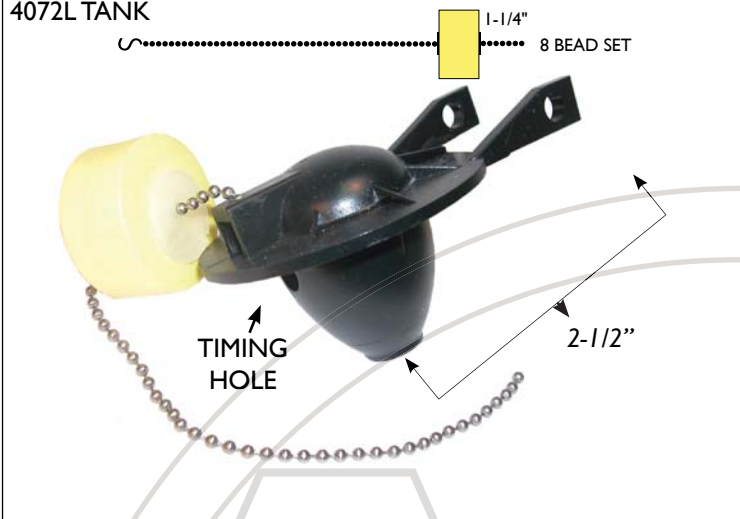


AMS738392 • FLAPPER

CHAIN LENGTH (beaded w/clip): 9"

TOILET REPAIR PARTS: FLAPPERS & BALLS | AMERICAN STANDARD

4072L TANK



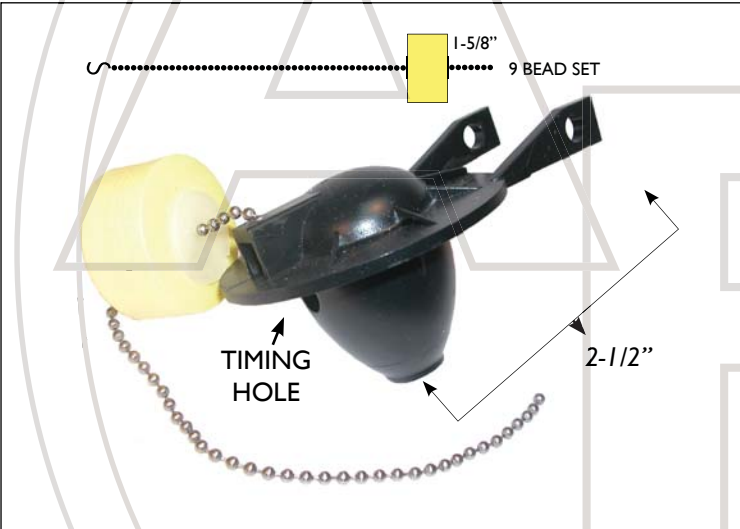
AMS738397 • FLAPPER

CHAIN LENGTH (beaded w/clip): 9"



AMS738920 • GMAX FLAPPER

CHAIN LENGTH (link w/clip): 8"



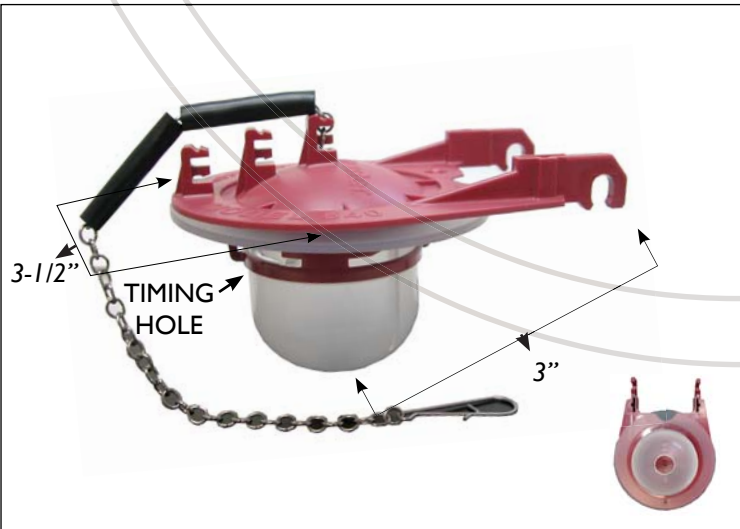
AMS7381129 • FLAPPER

CHAIN LENGTH (beaded w/clip): 9"



AMS7381026-400-07 • FLAPPER

CHAIN LENGTH (link w/clip): 8"



AMS7381193 • UNIVERSAL FLAPPER

CHAIN LENGTH (link w/clip): 10"